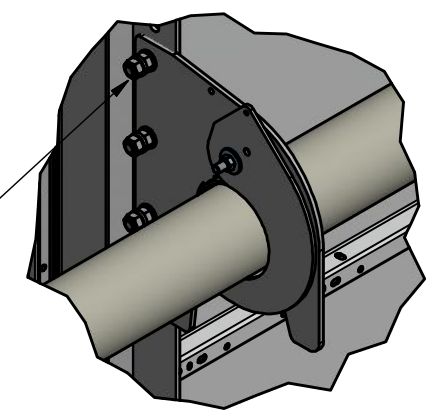


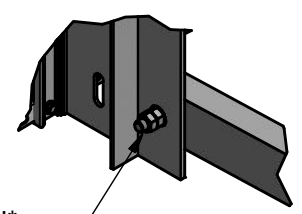
A ( 1 : 10 )

1ste Moer 170N\*m  
2de Moer 60N\*m



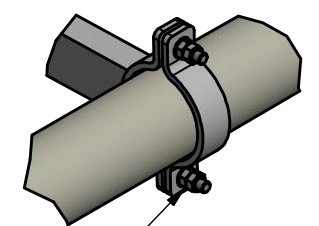
B ( 1 : 10 )


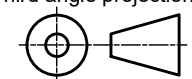
1ste moer 180N\*m  
2de Moer 60N\*m



C ( 1 : 10 )

1ste Moer 60N\*m  
2de Moer 60N\*m



		Material:	Mass:	N/A
		Doc no.: 20210629HAKA01.dwg		
Third angle projection:		Part number:		
		Description: Paneelbord .....x..... mm.		
Drawn by: HAKA	Creation date: 29-6-2021	Revision:		
Checked by:	Checked date:	Format: <b>A3</b>		
Scale 1 : 20	Units: mm			
Status: WorkInProgress				
Agmi Group, Steenweg 11B / 5932 AC Tegelen , tel: +31 773739100, www.agmi.nl, info@agmi.nl				