

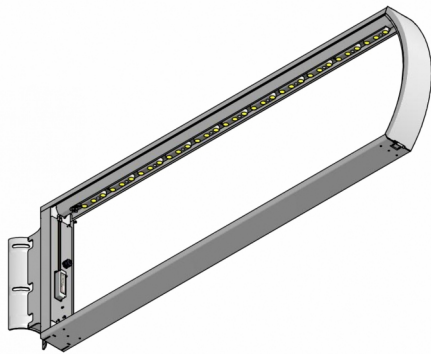
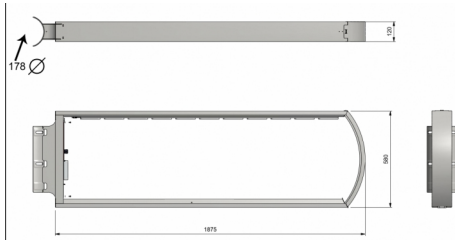


**AGMI**  
Traffic & Lighting

Leading forward.

## Enlightening road signs

- LED lighting, long lifespan and energy-saving
- Smooth lighting, clear text display
- Impact-resistant text plate



### Description

In the Netherlands, we have been the main supplier for illuminated enlightening road signs for many years now. Our enlightening road signs are, therefore, a proven and reliable product. The combination of the stainless steel light frame and the internal LED lighting ensure clear visibility, good readability and a long lifespan due to the low energy consumption. Another advantage is, LED lighting requires less maintenance.

### Important advantages

- LED lighting, long lifespan and energy-saving
- Smooth lighting, clear text display
- Impact-resistant text plate

### Electrical properties

- Power supply 25W - 12 VDC
- Supply voltage range: 90 - 305 VAC
- Frequency: 47 - 63 Hertz
- Total power: 19.80 W
- Colour temperature: 5000K - 6500K

### Mechanical properties

- Size L x W x H 1875 x 120 x 580
- The housing material is made out of stainless steel
- Impact resistance image plate made out of polycarbonate
- Weight 35kg
- Temperature range -30°C to +60°C
- The back plate is light-tight and RAL 7042

**Bel** +31 (0)77 373 91 00

**Kijk op** [www.agmi.nl](http://www.agmi.nl)

AGMI Traffic & Lighting,  
Steenweg 11b, 5932 AC Tegelen

**Onze certificaten**





**AGMI**  
Traffic & Lighting

Leading forward.

#### Quality

- CE certified LED lighting and power supplementation
- Technical lifespan 30,000 - 50,000 hours (10 years)
- Technical lifespan of the frame is at least 50 years
- Two-year warranty (last year descending)