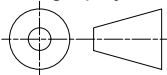
		Material:	Mass:	N/A
		Doc no.: 20210914joni05.dwg		
Third angle projection:		Part number:		
		Voorbeeld samenstelling		
Drawn by: JoNi	Creation date: 15-9-2021	Description: Totaalstaander combinatie IPE160		Revision: A
Checked by: HaKa	Checked date: 16-9-2021			Format: A3
Scale: 1 : 10	Units: mm			
Status: Released				
Agmi Group, Steenweg 11B / 5932 AC Tegelen , tel: +31 773739100, www.agmi.nl, info@agmi.nl				